

PS 400

Grid 3,50
Spring travel 10,00 mm

Technical Data

Minimum grid distance:	3,50 mm
Maximum spring travel:	10,00 mm
Recommended lifting height:	80%
Spring force at 4/5 spring travel:	1,1 N
E-value (collar height) defines the installation height	2 mm
Rated current:	2-3 A
Contact resistance:	30 mΩ
Pin housing:	Brass, gold-plated
Barrel:	Brass, gold-plated
Spring:	Steel, gold-plated
Piston:	Steel, rhodium- or gold-plated

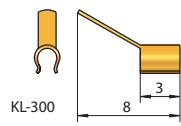
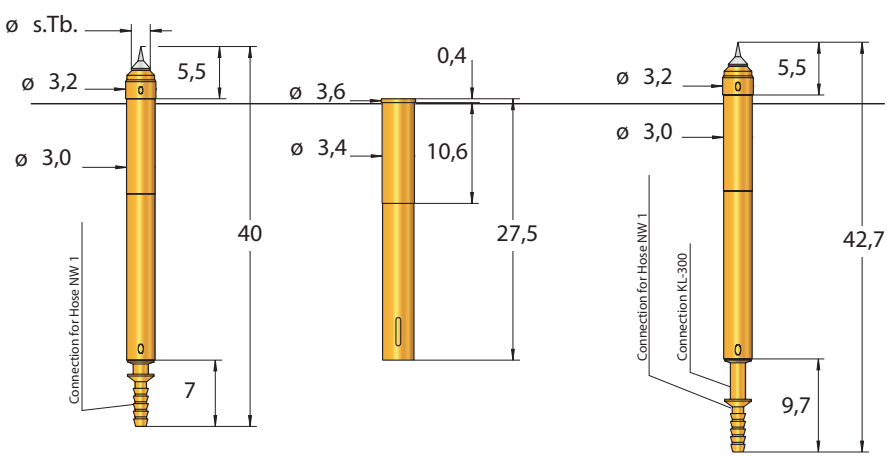


Figure	Type	\varnothing (mm)	Electro- plating
	SR	2,00 2,00	R A
	KR	1,30 1,30	R A
	RD	1,30 2,50	R R
	RI	1,30 2,50 3,50	A A A
	LA	1,30	A

Alternative Head shapes are available.

Sample Order:

Series	Head Shape	\varnothing Head	Electroplating	Lifting Height	Spring Pin	Collar Height
FS 254	FL	20	A	50	15	10

